

Self-Enclosed Shark[®] Meter Assemblies

For Multifunction Shark[®] 50, 50B, 100, 100B, 200, or 250 Meters



NEMA 1
Indoor-rated
Enclosure

NEMA 4X
Outdoor-rated
Enclosure

- For Retrofit Meter Solutions
- Extends Switchgear Capability
- Pre-wired and Configured
- Eliminates Wiring and Installation Errors

EIG's Shark[®] meter in enclosure lets you expand your switchgear capability without expensive and time-consuming redesign. Simply mount and wire the enclosure next to your switchgear and you are ready to go, with no downtime at all!

This is a perfect solution for a retrofit when there is no metering compartment available. The meter comes standard with a NEMA 1 indoor enclosure or a NEMA 4X outdoor enclosure, and is factory wired with the meter installed. Standard equipment includes voltage fuses, a shorting block for current transformers, and a control power transformer if used with 277/480 V power systems.



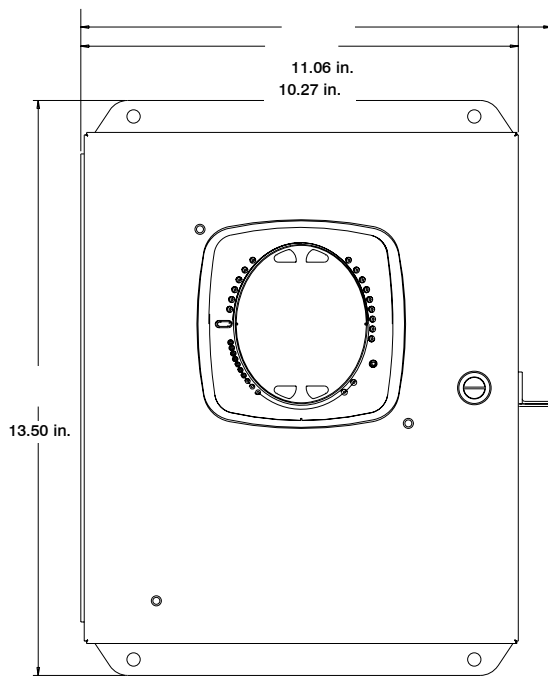
The enclosure can be ordered with either the economical Shark® 50 multifunction meter, the Shark® 50B meter with native BACnet MS/TP, the Shark® 100 multifunction meter, the Shark® 100B meter with native BACnet/IP, or the Shark® 200 and 250 advanced meters with datalogging and extensive I/O. It is offered in four voltage configurations:

- (120-240) V AC line powered enclosure.
- 277 - 277/480 V AC line powered enclosure.*

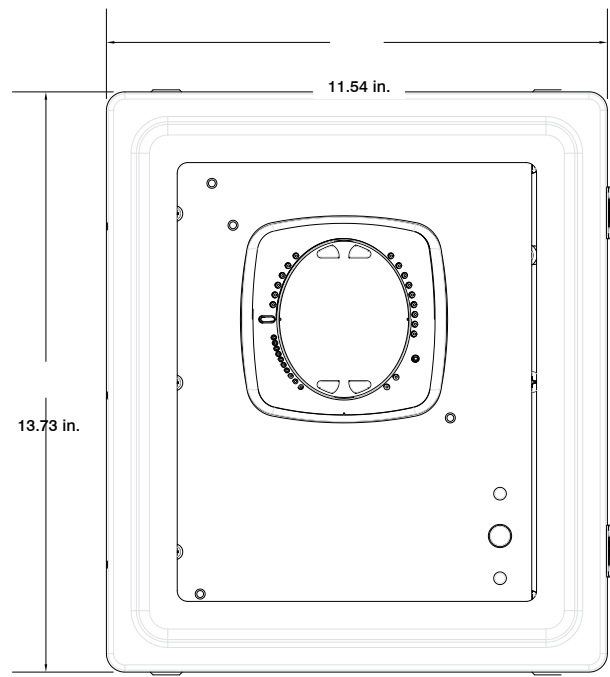
- EXT24 - (18-60) V DC external powered enclosure.
- EXT120 (120-240) V AC/DC external powered enclosure.

* This configuration is not available for the Shark® 50/50B meter in enclosure.

Dimensions



NEMA 1 Front Dimensions



NEMA 4X Front Dimensions

Shark® 50 in Self-Enclosed Meter Assembly

Ordering Information - All fields must be filled in to create a valid part number.

	Model	Power System	V-Switch™ Pack	Communication
Option Numbers:	-	-	-	-
Example:	ENC5HK50	277	V2	485P
	ENC5HK50 Shark® 50 in NEMA 1 Enclosure	120 (120 to 240) V AC Line Powered	V1 Voltage/ Current	X None
	ENC4XSHK50 Shark® 50 in NEMA 4X Enclosure	277 277/480 V AC Line Powered	V2 V1+Power and Frequency	485P RS585 and KYZ Pulse Output
		EXT120 (90 to 265) V AC @ 50/60 Hz or (100 to 370) V DC External Powered	V3 V2+Energy Counters	

Shark® 50B in Self-Enclosed Meter Assembly

Ordering Information - All fields must be filled in to create a valid part number.		
Model	Power System	
Option Numbers:	-	
Example:	ENC50B	277
	ENC4XSHK50B Shark® 50B in NEMA 1 Enclosure	120 (120 to 240) V AC Line Powered
	ENC4XSHK50B Shark® 50B in NEMA 4 Enclosure	277 277/480 V AC Line Powered
		EXT120 (90 to 265) V AC @ 50/60 Hz or (100 to 370) V DC External Powered

Shark® 100 in Self-Enclosed Meter Assembly

Ordering Information - All fields must be filled in to create a valid part number.						
Model	Power System	Frequency	Current Input	V-Switch™ Pack	Communication	
Option Numbers:	-	-	-	-	-	
Example:	ENC100	277	60	10	V2	485P
	ENC100 Shark® 100 in NEMA 1 Enclosure	120 (120 to 240) V AC Line Powered	50 50 Hz System	10 5 A Nominal CT Secondary	V1 Voltage/ Current	X None
	ENC4XSHK100 Shark® 100 in NEMA 4X Enclosure	277 277/480 V AC Line Powered	60 60 Hz System	2 1 A Nominal CT Secondary	V2 V1 +Power and Frequency	485P RS485 and KYZ Pulse Output
		EXT24 (18-60) V DC External Powered			V3 V2+DNP3 and Energy Counters	INP10 100BaseT Ethernet and KYZ Pulse Output
		EXT120 (90 to 265) V AC @ 50/60 Hz or (100 to 370) V DC External Powered			V4 V3+THD and Limits	

Shark® 100B in Self-Enclosed Meter Assembly

Ordering Information - All fields must be filled in to create a valid part number.			
Model	Power System	Frequency	Current Input
Option Numbers:	-	-	-
Example:	ENC100B	277	10
	ENC100B Shark® 100 in NEMA 1 Enclosure	120 (120 to 240) V AC Line Powered	50 50 Hz System
	ENC4XSHK100B Shark® 100 in NEMA 4X Enclosure	277 277/480 V AC Line Powered	60 60 Hz System
		EXT24 (18-60) V DC External Powered	
		EXT120 (90 to 265) V AC @ 50/60 Hz or (100 to 370) V DC External Powered	

Shark[®] 200 in Self-Enclosed Meter Assembly / Shark[®] 250 in Self-Enclosed Meter Assembly

Ordering Information - All fields must be filled in to create a valid part number.

	Model	Power System	Frequency	Current Input	V-Switch™ Pack	I/O Slot 1	I/O Slot 2
Option Numbers:	-	-	-	-	-	-	-
Example:	ENCSHK200	- 277 -	60	- 10 -	- V2 -	X	- X
	ENCSHK200 Shark [®] 200 in NEMA 1 Enclosure	120 (120 to 240) V AC Line Powered	50 50 Hz System	10 5 A Nominal CT Secondary	200	X None	X None
	ENC4XSHK200 Shark [®] 200 in NEMA 4X Enclosure	277 277/480 V AC Line Powered	60 60 Hz System	2 1 A Nominal CT Secondary	V1 Multifunction Measurement	INP100S 10/100BaseT Ethernet	INP100S 10/100BaseT Ethernet
	ENCSHK250 Shark [®] 250 in NEMA 1 Enclosure	EXT24 (18-60) V DC External Powered			V2 V1 + Standard Data- Logging Memory	RO1S** 2 Relay Outputs/ 2 Status Inputs	RO1S** 2 Relay Outputs/ 2 Status Inputs
	ENC4XSHK250 Shark [®] 250 in NEMA 4X Enclosure	EXT120 (90 to 265) V AC @ 50/60 Hz or (100 to 370) V DC External Powered			V3 V2 + Power Quality Harmonics	PO1S 4 Pulse Outputs/4 Status Inputs	PO1S 4 Pulse Outputs/ 4 Status Inputs
					V4 V3 + Limits and Control Functions		
					V5 V4 + 3 MB Data- Logging Memory and 64 Samples/Cycle Waveform Recorder	1mAOS 4 Channel Analog Output 0-1 mA (Bidirectional)	1mAOS 4 Channel Analog Output 0-1 mA (Bidirectional)
					V6 V4 + 4 MB Data- Logging Memory and 512 Samples/Cycle Waveform Recorder	20mAOS 4 Channel Analog Output 4-20 mA	20mAOS 4 Channel Analog Output 4-20 mA
					250	FOSTS Fiber Optic Output ST Terminated	FOSTS Fiber Optic Output ST Terminated
					V1 Multifunction Measurement	FOVPS Fiber Optic Output Versatile Link Terminated	FOVPS Fiber Optic Output Versatile Link Terminated
					V2 V1 + 2 MB Standard Data-Logging Memory	INP300S IEC 61850 Protocol Ethernet	INP300S IEC 61850 Protocol Ethernet
					V3 V2 + 10 MB Memory and 128 Samples/ Cycle Waveform Recording	* RS1S RS232/RS485 Comm Card	* RS1S RS232/RS485 Comm Card
					V4 V3 + 128 MB Memory and 512 Samples/ Cycle Waveform Recording		

* Applies only to Shark[®] 250 meter.

** The Shark[®] 200 meter must be at V4 or higher to use the relay features.



1800 Shames Drive, Westbury, NY 11590 **1-877-EIMETER**
(1-877-346-3837) **Tel:** 516-334-0870 **Fax:** 516-338-4741
Email: sales@electroind.com **www.electroind.com**



Shark[®] Enclosures
Web Page

E173702 102523 V.1.12